

SSC-2000

TOUCH SCREEN SYSTEM KEYBOARD



FEATURES

- Long Distance Control: Up To 1.2km On RS-485 Communication.
- Maximum 32 Keyboards Can Be Connected Simultaneously
- 5.7" Graphic Panel
- Durable 3-axis PTZ Joystick
- User Friendly Touch Screen Interface
- Camera, DVR and Multiplexer Selection
- IC (Intelligent Camera) Series Controller For:
 - SCC-641-Color Pan Tilt Zoom Dome Camera
 - SCC-C6403-Day/Night Pan Tilt Zoom Dome Camera
 - SCC-C6407- WDR, Day/Night, Pan Tilt Zoom Dome Camera
 - SCC-C6475- IP, WDR, Day/Night, Pan Tilt Zoom Dome Camera
 - SCC-C4301- Low Light, Motorized Zoom Camera
 - SCC-C4307- WDR, Day/Night, Motorized Zoom Camera
 - SCC-931T- High Impact, Color Dome Camera
 - SCC-C9302(F)- WDR, Day/Night, High Impact Dome Cameras
- Jog/Shuttle Controls

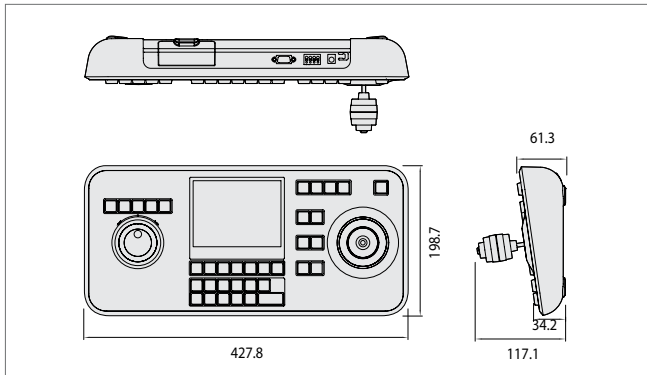
SUMMARY

The SSC-2000 controller can be used to easily control the Samsung Electronics series cameras which include the Pan Tilt Zoom Series Dome Cameras, the High Impact Dome Cameras and Motorized Zoom Lens Cameras as well as Samsung SHR series DVRs.

The SSC-2000 system keyboard can function with the traditional push button and with a touch screen graphic LCD panel. The 3-axis joystick supports control of PTZ functions as well as a jog/shuttle switch. The keyboard has pan/tilt control functions as well as lens control (zoom, focus and iris). For your convenience the keyboard has two control interface options, two RS-485 ports, or a RS-232 port. Maximum 32 keyboards can be connected simultaneously and controlled from different places.

SSC-2000 | TECHNICAL SPECIFICATIONS

Dimensions (unit : mm)



Rear Panel



SPECIFICATIONS

Communication		
Interface Type (RS-485)	Connector Type	4P Terminal Type
	Port	1 Port
	Baud Rate	4,800/9,600/19,200/38,400bps
	Interface Type (RS-232C)	Connector Type: D-SUB 9P
	Port	1 Port
	Baud Rate	600/1,200/2,400/4,800/9,600/19,200/38,400/57,600bps
LCD	Panel	5.7" Graphic Panel (320 x 240 line) + Touch Panel
	Viewing Angle	Left (39°), Right (32°), Rear (10°), Front (30°)
	Inclination Angle	Min (8.4°), Max (15.9°)
LED		Monitor, Camera, Multiplexer, DVR
	Pan/Tilt & Lens Control	Pan: Left/Right
	Tilt	Up/Down
	Iris	Close/Open
	Focus	Near/Far
	Zoom	Tele/Wide
DVR Control	SW	Preset, Pattern, Auto Pan, Scan
	Jog/Shuttle	RW, Stop, Play, FF, REC.
	Power	Forward/Reverse, Play/Reverse Play/FF/RW
Power Requirement	Power Consumption	DC12V, 600mA
		Below 3W
Physical Specification	Dimensions (W x H x D)	16.8" x 7.8" x 4.6" / 427.8 x 198.7 x 117.1mm
	Weight	2.9lbs / 1.36Kg
Certifications	UL, FCC	